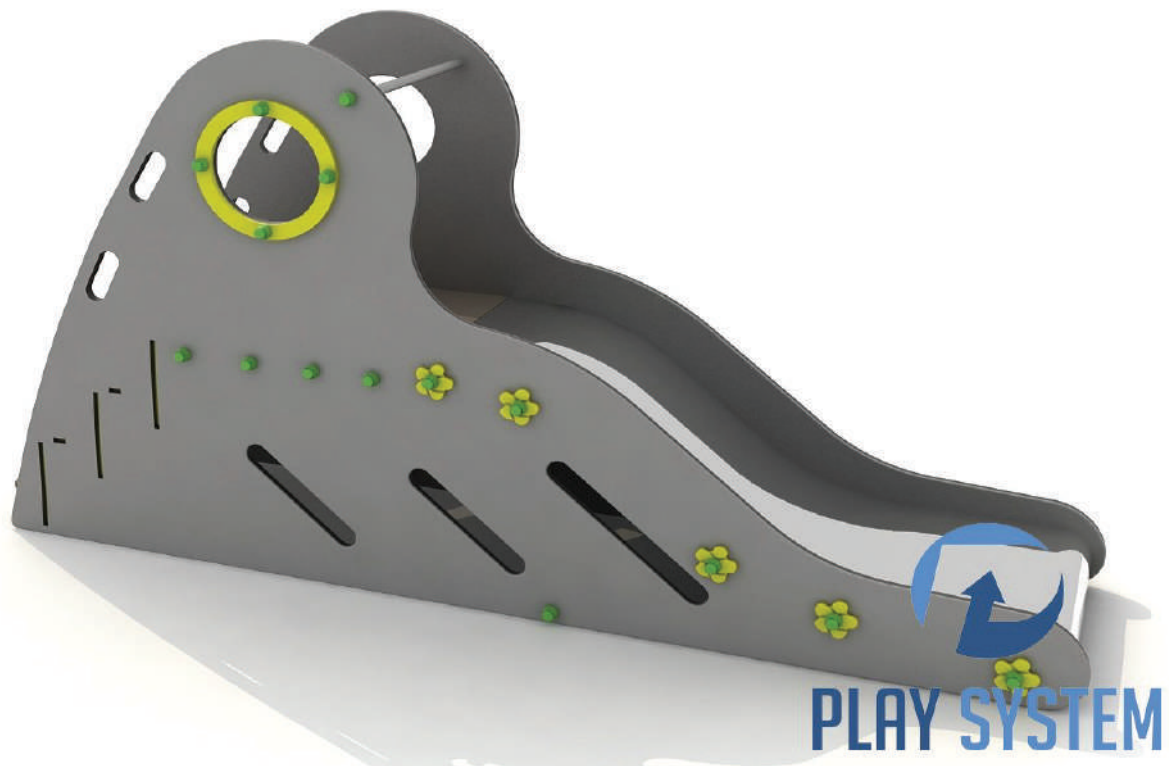


PLAY SYSTEM

PLAYSYSTEM F2111

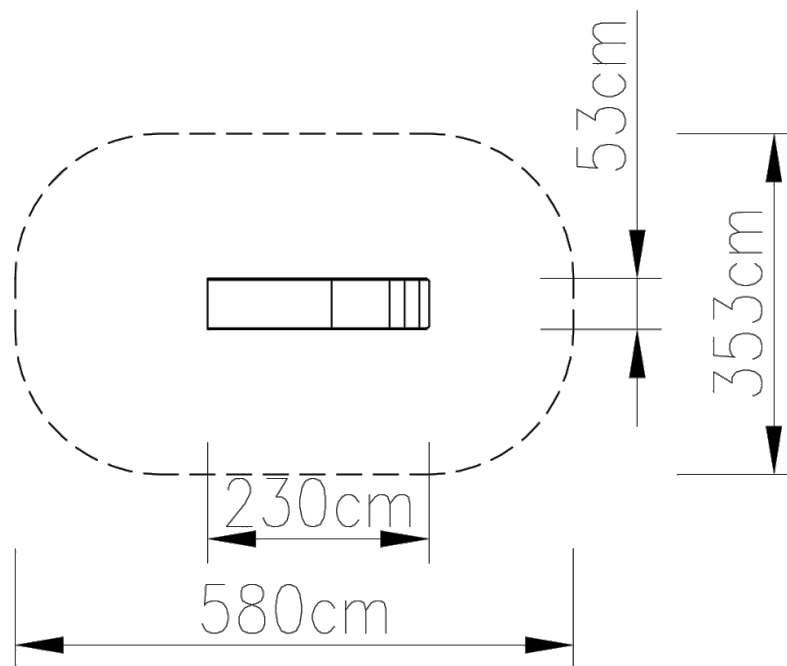
The sides of the slide are made of PE-HD sheets, resistant to discoloration and UV radiation, the surface of the slide made of stainless steel sheet. Metal elements made of thickly walled steel, triple anti-corrosion and powder coated. Connecting elements, i.e. screws, etc. made of stainless steel. Play equipment must be installed on a secure surface.



PLAY SYSTEM

<https://www.playsystem.com.vn/>

PLAY SYSTEM



Technical data:

- length: 230 cm,
- width: 53 cm,
- total height: 125 cm,
- free fall height: 125 cm,
- fall zone: 580 x 353 cm,
- safety standards PN-EN 1176-1; PN-EN 1176-3,
- age range: 1-6 years.

Materials:

- metal elements made of steel, which is triple protected against corrosion by hot dip galvanizing, chromating and powder coating with a polyester coating, ensuring high resistance to weather conditions, discoloration in UV rays,
- Sides of the slide are made of PE-HD,

Security:

- zinc-plated steel, chromated and powder-coated with polyester coating,
- stainless steel screws.

PLAY SYSTEM

<https://www.playsystem.com.vn/>