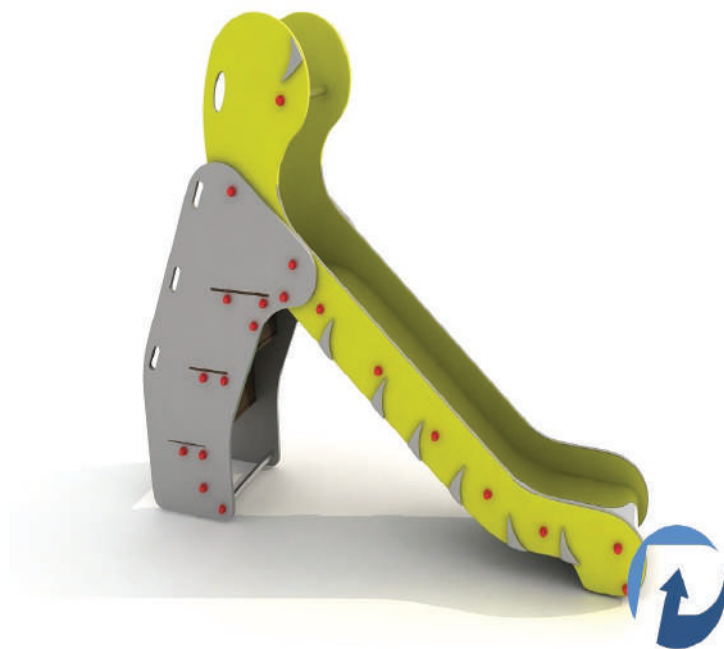


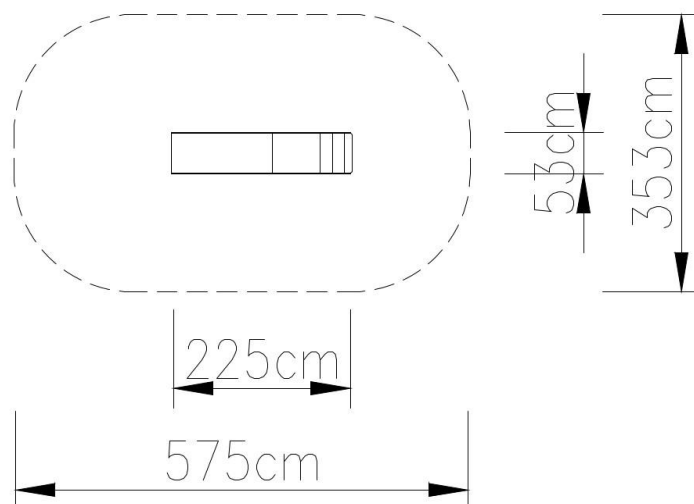
PLAY SYSTEM

PLAYSYSTEM F2112

Snake-shaped slide. The sides of the slide are made of the PE-HD plate, resistant to discoloration and UV radiation, the surface of the slide made of stainless steel sheet. Metal elements made of thickly walled steel, triple anti-corrosion and powder coated. Connecting elements, i.e. screws, etc. made of stainless steel. Play equipment must be installed on a secure surface.



PLAY SYSTEM



PLAY SYSTEM

<https://www.playsystem.com.vn/>

PLAY SYSTEM

Technical data:

- length: 225 cm,
- width: 53 cm,
- total height: 175 cm,
- free fall height: 90 cm,
- fall zone: 575 x 353 cm,
- safety standards PN-EN 1176-1; PN-EN 1176-3,
- age range: 1-6 years.

Materials:

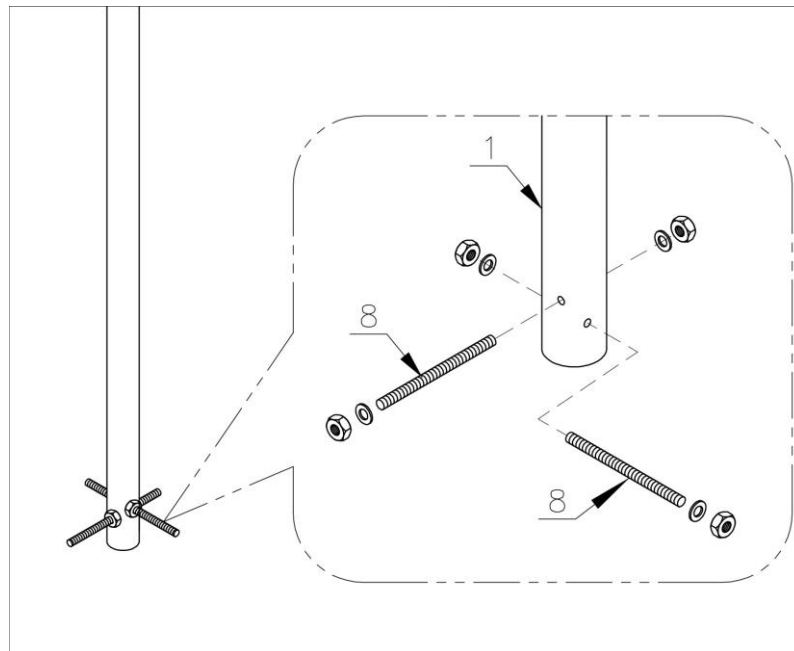
- metal elements made of steel, which is triple protected against corrosion by hot dip galvanizing, chromating and powder coating with a polyester coating, ensuring high resistance to weather conditions, discoloration in UV rays,
- Housing slide from PE-HD plate,

Security:

- zinc-plated steel, chromated and powder-coated with polyester coating,
- stainless steel screws.

Foundation:

- Dig trenches in the ground for foundations with a depth of 70 cm
- Fixing anchors to the posts. Pass the M8 rods through the holes at the bottom of the poles and turn.



PLAY SYSTEM

<https://www.playsystem.com.vn/>