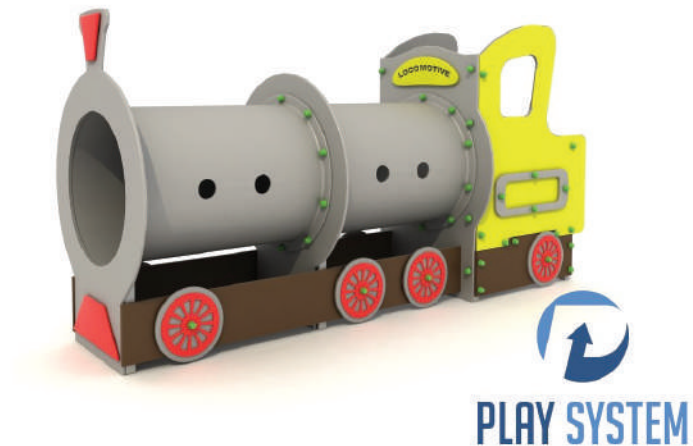


PLAY SYSTEM

PLAYSYSTEM F2151

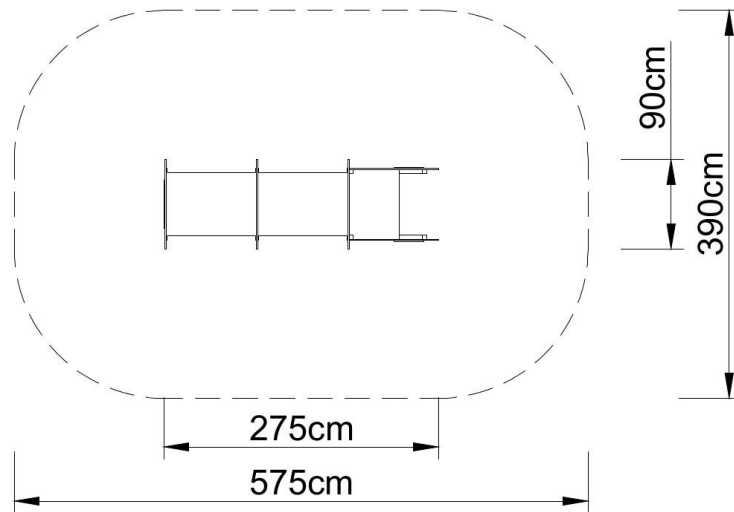
A play set Locomotive. Supporting elements of the set made of stainless steel. Plastic panels made of HDPE. The columns are finished with plastic plugs. The set is equipped with a tube passage. The finishing elements may differ from presented in the visualization.



Technical data:

- length: 275 cm,
- width: 90 cm,
- height: 145 cm,
- fall zone: 575 x 390 cm,
- safety standards PN-EN 1176-1; PN-EN 1176-3,

PLAY SYSTEM



Materials:

- metal elements made of stainless steel, ensuring high resistance to weather conditions, discoloration in UV rays,
- panels, roofs made of HDPE plastic,
- galvanized steel and powder coated platforms with polyester paints covered with a waterproof slip plate.

Security:

- stainless steel screws.
- ANTI - SKID floor

PLAY SYSTEM

<https://www.playsystem.com.vn/>