

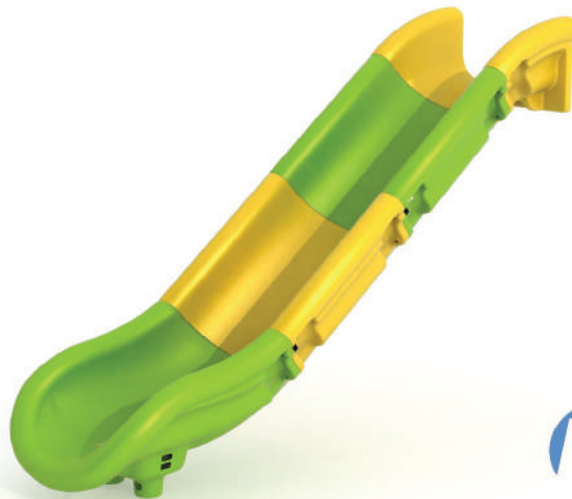
## **PLAY SYSTEM**

### **PLAYSYSTEM S15803**

The slide for public playgrounds.

Slide is manufactured in a modern technology of LLDPE rotomolding, which makes it resistant to adverse weather conditions and UV rays. Its large size and light weight ensure fun and safety for the user.

Colours available: yellow, blue, red, green.

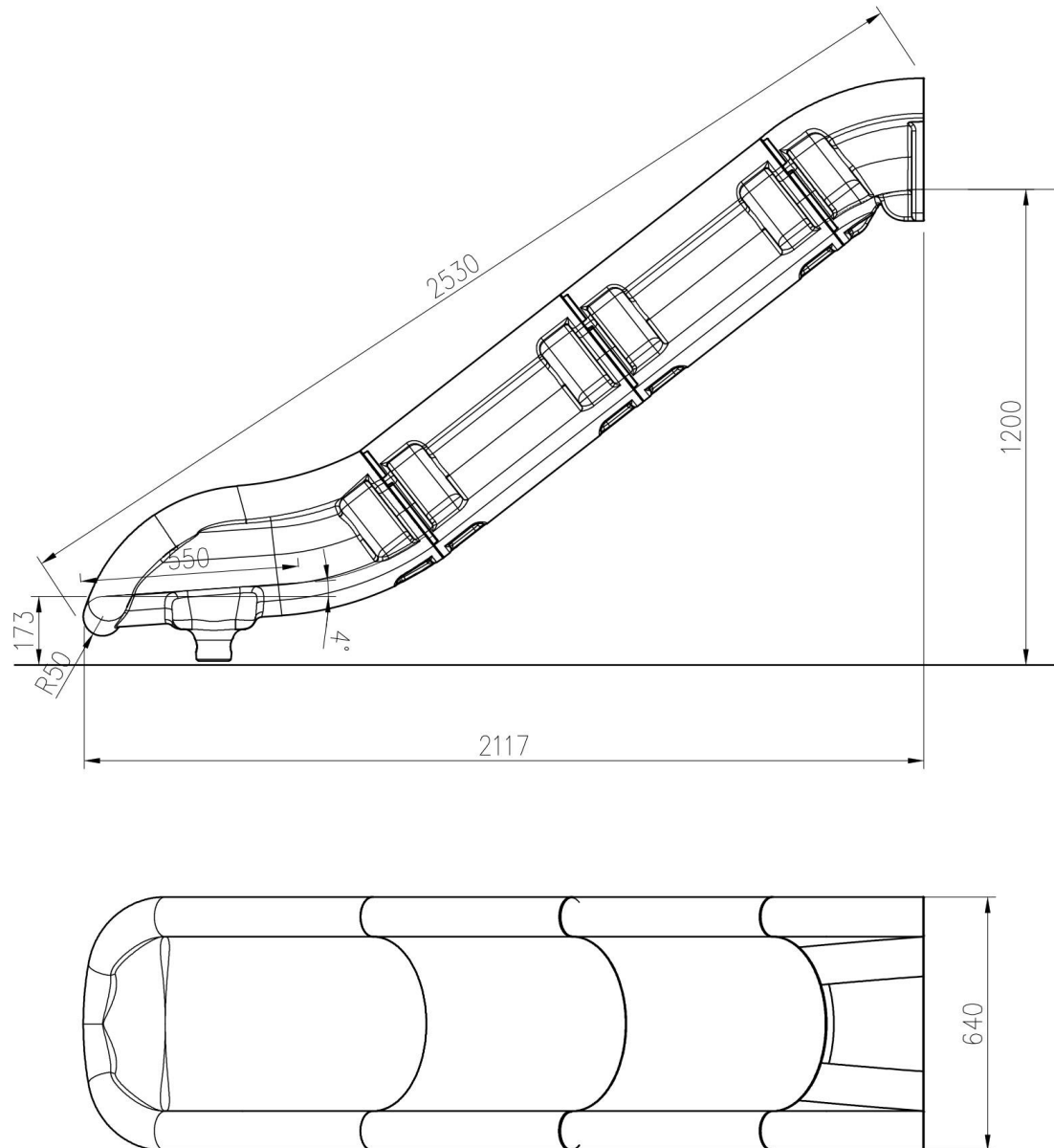


**PLAY SYSTEM**

**PLAY SYSTEM**

<https://www.playsystem.com.vn/>

# PLAY SYSTEM



## **Technical data:**

length: 253 cm (dimension in plan: 212 cm)  
width: 64 cm,  
platform height: 120 cm,  
safety standards: EN 1176-1; EN 1176-3,

## **Materials:**

Slides made of rotomoulded LLDPE,  
stainless steel nuts, screws.