

## **PLAY SYSTEM**

### **PLAYSYSTEM S15805**

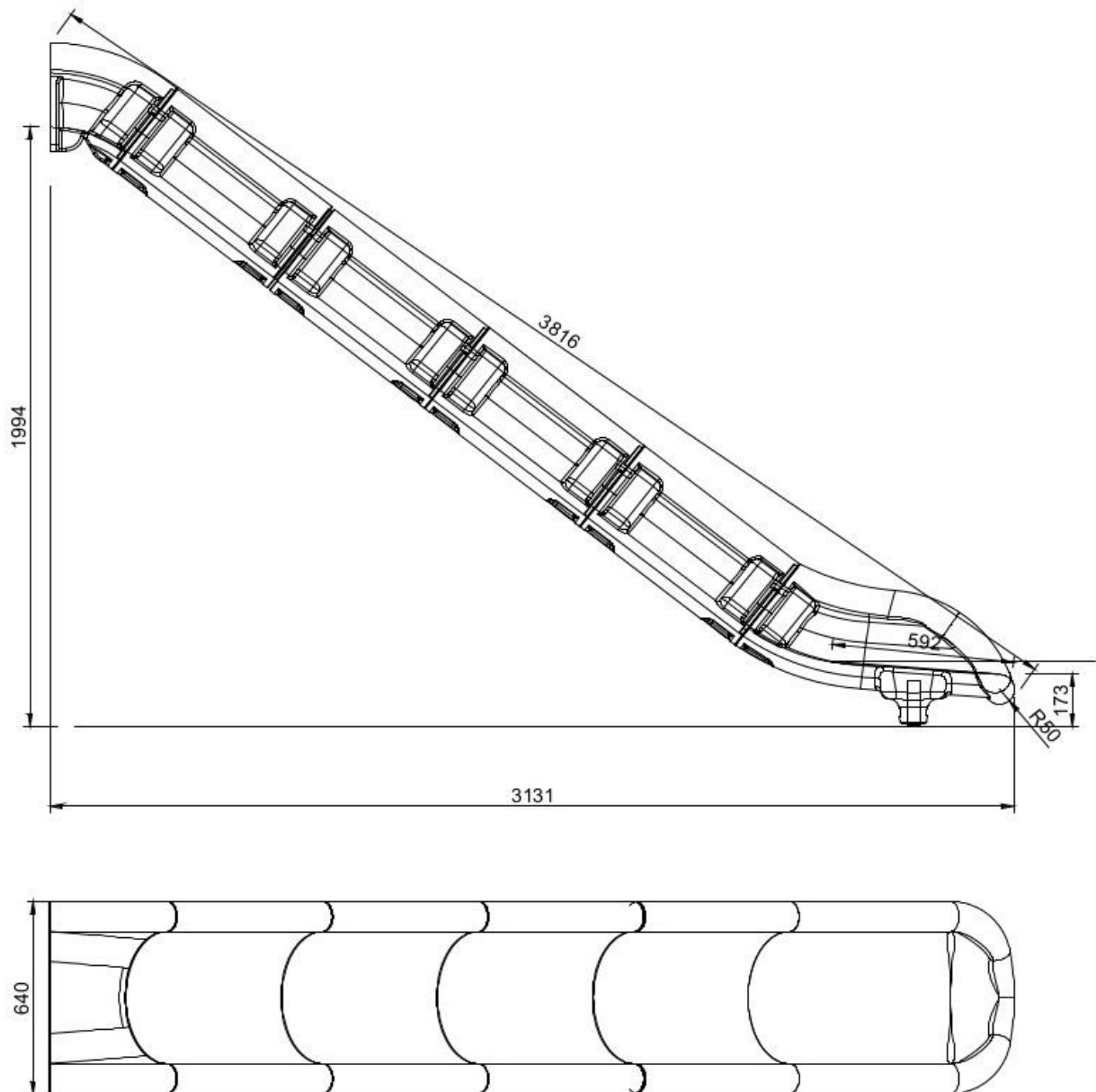
The slide for public playgrounds.

Slide is manufactured in a modern technology of LLDPE rotomolding, which makes it resistant to adverse weather conditions and UV rays. Its large size and light weight ensure fun and safety for the user.

Colours available: yellow, blue, red, green.



# PLAY SYSTEM



## Technical data:

length: 382 cm (dimension in plan: 313 cm)  
width: 64 cm,  
platform height: 200 cm,  
safety standards: EN 1176-1; EN 1176-3.

## Materials:

Slides made of rotomoulded LLDPE,  
stainless steel nuts, screws.