

## **PLAY SYSTEM**

### **PLAYSYSTEM S15829**

The slide for public playgrounds.

Slide is manufactured in a modern technology of LLDPE rotomolding, which makes it resistant to adverse weather conditions and UV rays. Its large size and light weight ensure fun and safety for the user.

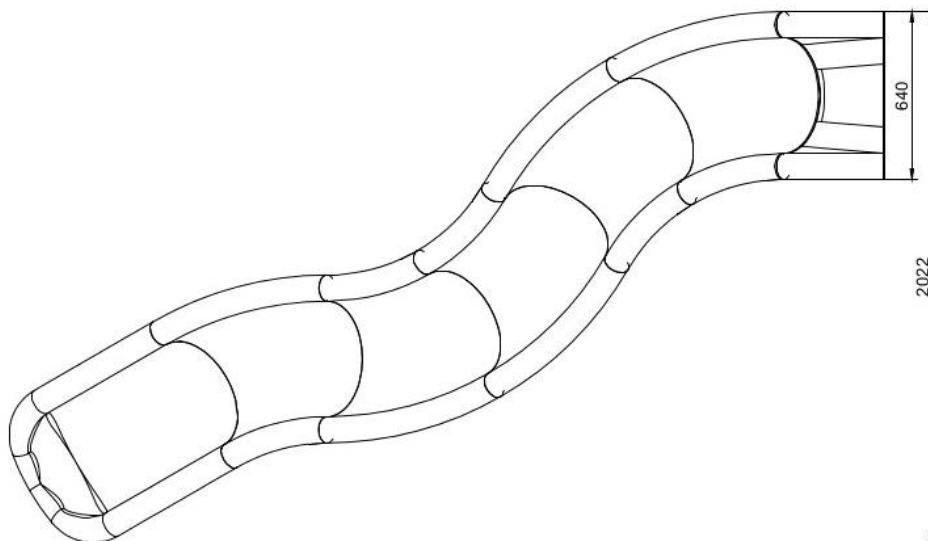
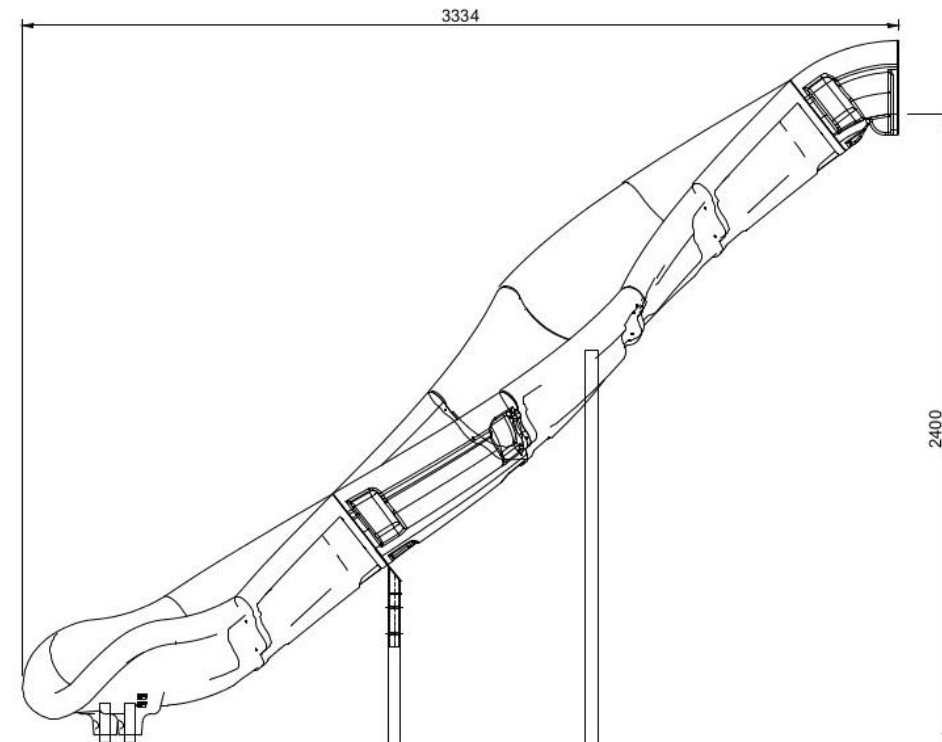
Colours available: yellow, blue, red, green.



**PLAY SYSTEM**

<https://www.playsystem.com.vn/>

# PLAY SYSTEM



## Technical data:

length in plan: 333 cm  
width: 64 cm (dimension in plan: 202 cm),  
platform height: 240 cm,  
safety standards: EN 1176-1; EN 1176-3.

## Materials:

Slides made of rotomoulded LLDPE,  
stainless steel nuts, screws.

**PLAY SYSTEM**  
<https://www.playsystem.com.vn/>