

## PLAY SYSTEM

### PLAYSYSTEM S2237

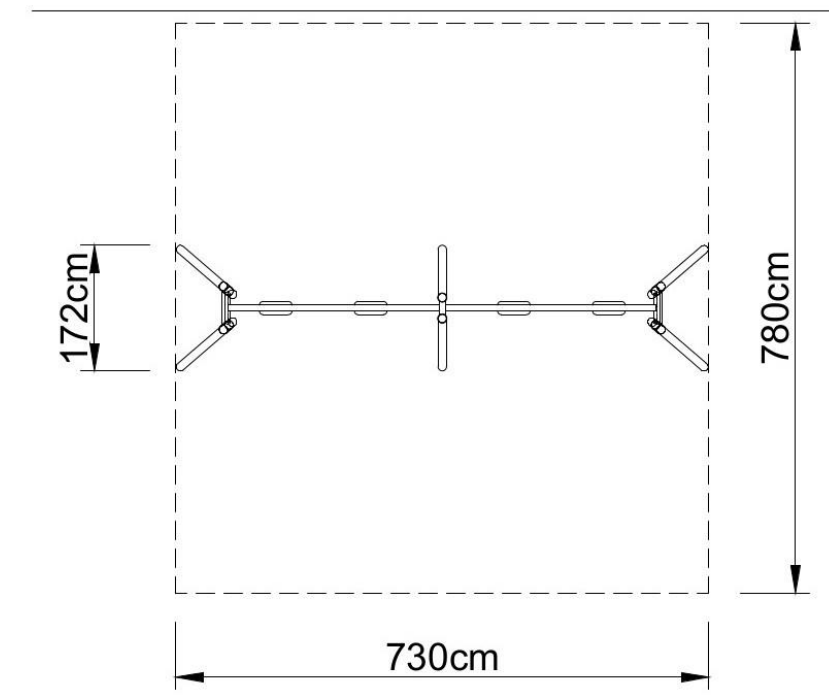
Swing designed for children aged 3-14 years. The structure is made of stainless steel, flat seats and for a disabled child made of LLDPE. Columns with circular cross-section  $\text{Ø}114 * 2.6 \text{ mm}$ . Horizontal beam with  $80 * 60 * 4 \text{ mm}$  cross-section. Finishing elements may differ from presented in the visualization. Swing construction colors: silver, green.



**PLAY SYSTEM**

<https://www.playsystem.com.vn/>

## PLAY SYSTEM



### **Technical data:**

- Number of users: up to 4 children
- Dimensions of the device: 730 x 172 x 250 cm
- The minimum area of the square: 730 x 780 cm
- Free fall height: 140 cm,
- Safety standards: EN 1176-1; EN 1176-2;
- Age range: 3-14 years

### **Materials:**

- metal elements made of stainless steel,
- seats made of rotational LLDPE plastic and EPDM rubber,
- seats made of reinforced with aluminum plate EPDM rubber, colored in mass,
- connecting elements, ie screws, etc. made of stainless steel,
- chains made of stainless steel.

### **Security:**

- Zinc-plated steel, chromated and powder-coated with a polyester coating.

**PLAY SYSTEM**

<https://www.playsystem.com.vn/>