

PLAY SYSTEM

PLAYSYSTEM SS028

The seat is for swings on public play grounds..

The seat is produced with modern technology of rotomolding with LLDPE, which makes it resistant to adverse weather conditions and UV rays. Its large size and light weight ensure joy and safety for users. The safety is ensured by EPDM rubber bumper at the front of the seat.

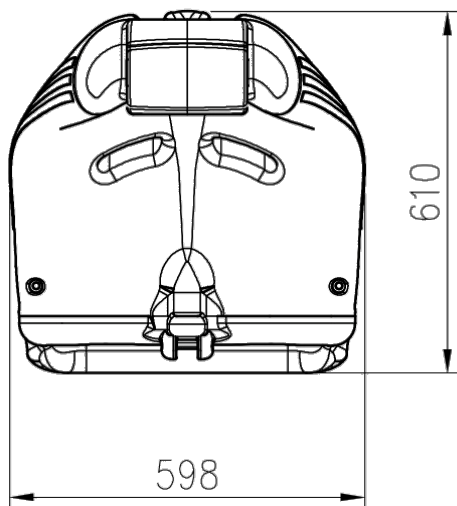
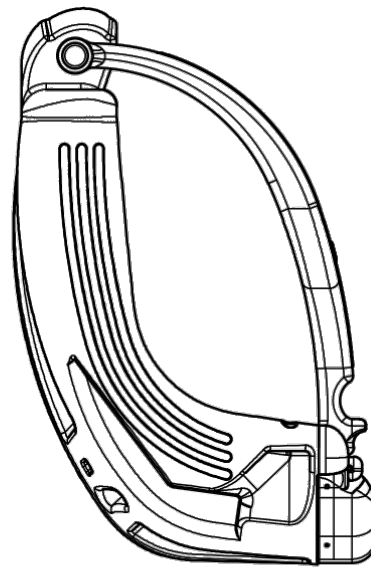
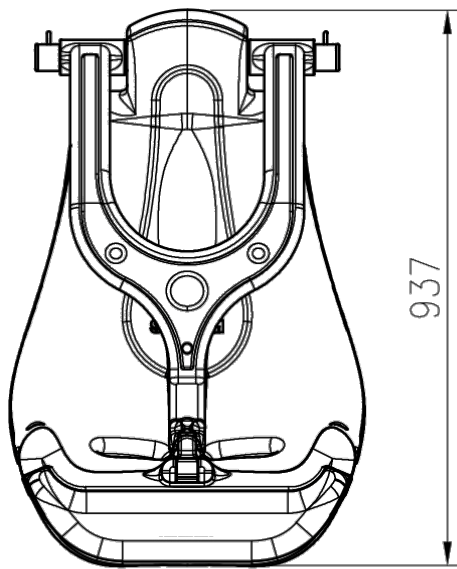
Colours available: yellow, blue, red, green.



PLAY SYSTEM

<https://www.playsystem.com.vn/>

PLAY SYSTEM



Technical specification:

length:	610 mm
width:	598 mm
height:	937 mm
safety standard:	EN-1176-2

Materials:

mass colour-coated LLDPE,
front bump stops made of EPDM mass colour-coated rubber,
connecting components, i.e. screws etc, made of stainless steel,
chains made of stainless steel.

PLAY SYSTEM

<https://www.playsystem.com.vn/>